

# Contents

---

**OVERVIEW 02**

**COMPONENTS & FEATURES 03**

**DISASSEMBLY 04**

Engagement of Lever 04

Collet Guide and Lock Ring Removal 05

Collet Removal 06

Anvil and Handle Removal 07

Actuator Removal 08

**ASSEMBLY 09**

Actuator Insertion 09

Handle and Anvil Attachment 10

Collet Insertion 11

Collet Guide and Lock Ring Attachment 12

Correct Attachment of Collet Guide 13

**VERIFICATION 14**

**NOTA BENE 15**

# Overview

---

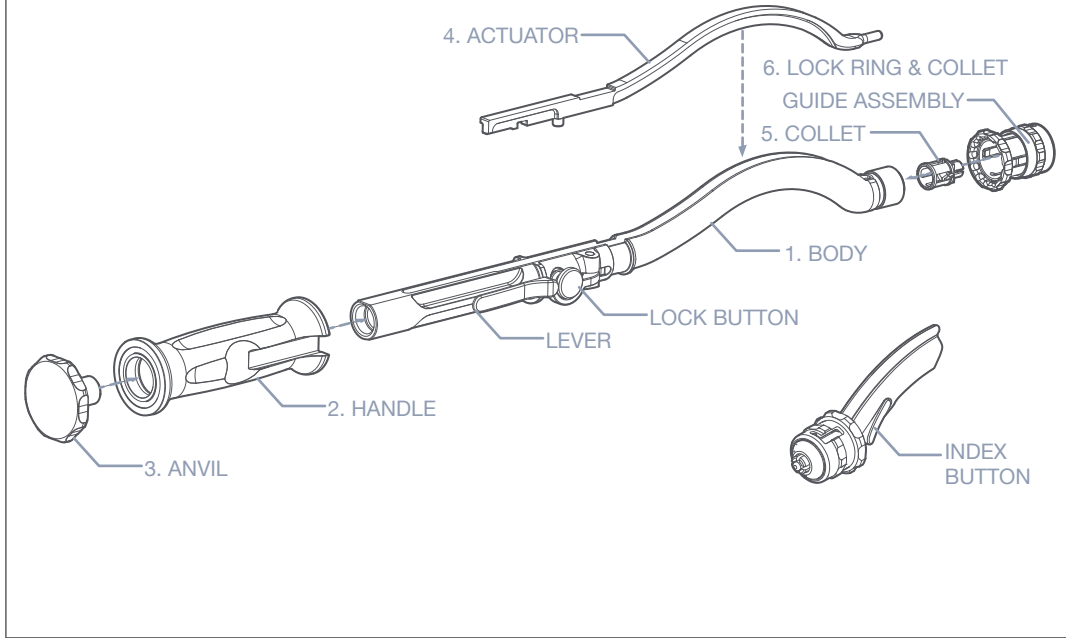
The Enztec Offset Cup Impactor (OCI) supplied by Enztec Limited is a manual medical tool designed for use in fitting customer specific Acetabular Shells.



# Components & Features

---

The OCI consists of 6 unique components, the Body (1), Handle (2), Anvil (3), Actuator (4), Collet (5) and Collet Guide Lock Ring Assembly (6). These and the Lock Button, Lever and Index Button features are shown.

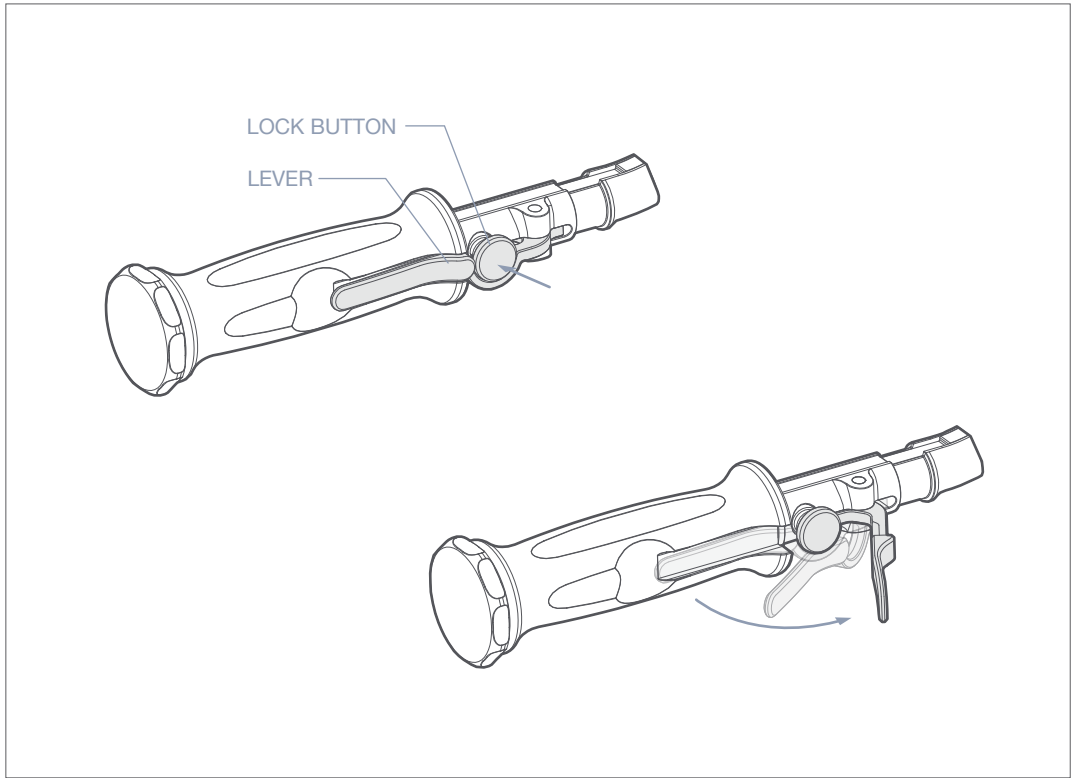


# Disassembly

---

## ENGAGEMENT OF LEVER:

While depressing the Lock Button lift the Lever to collapse the Collet.

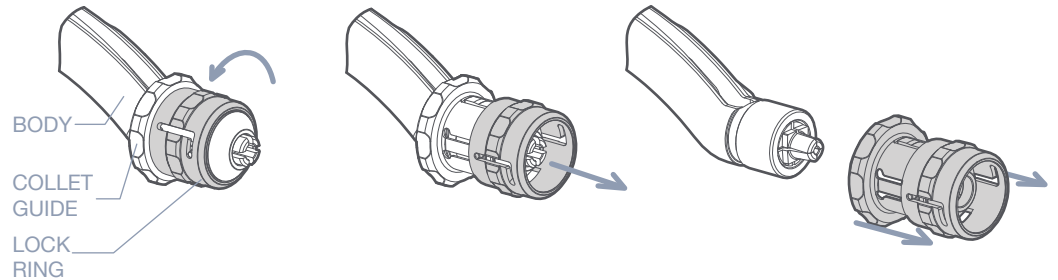


# Disassembly

---

## COLLET GUIDE AND LOCK RING REMOVAL:

- Rotate the Lock Ring anti-clockwise 30° relative to the Collet Guide.
- Slide the Lock Ring forward on the Collet Guide.
- Slide the Lock Ring and Collet Guide Assembly off the Body.

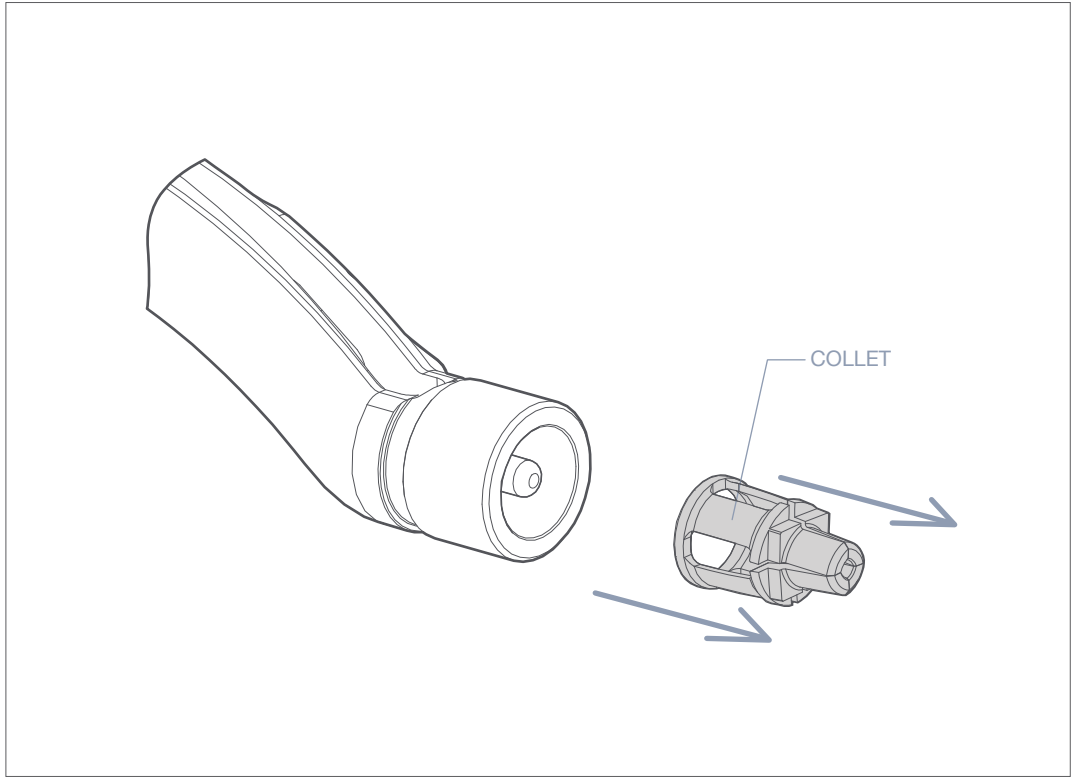


# Disassembly

---

## COLLET REMOVAL:

Remove the Collet from the Body.

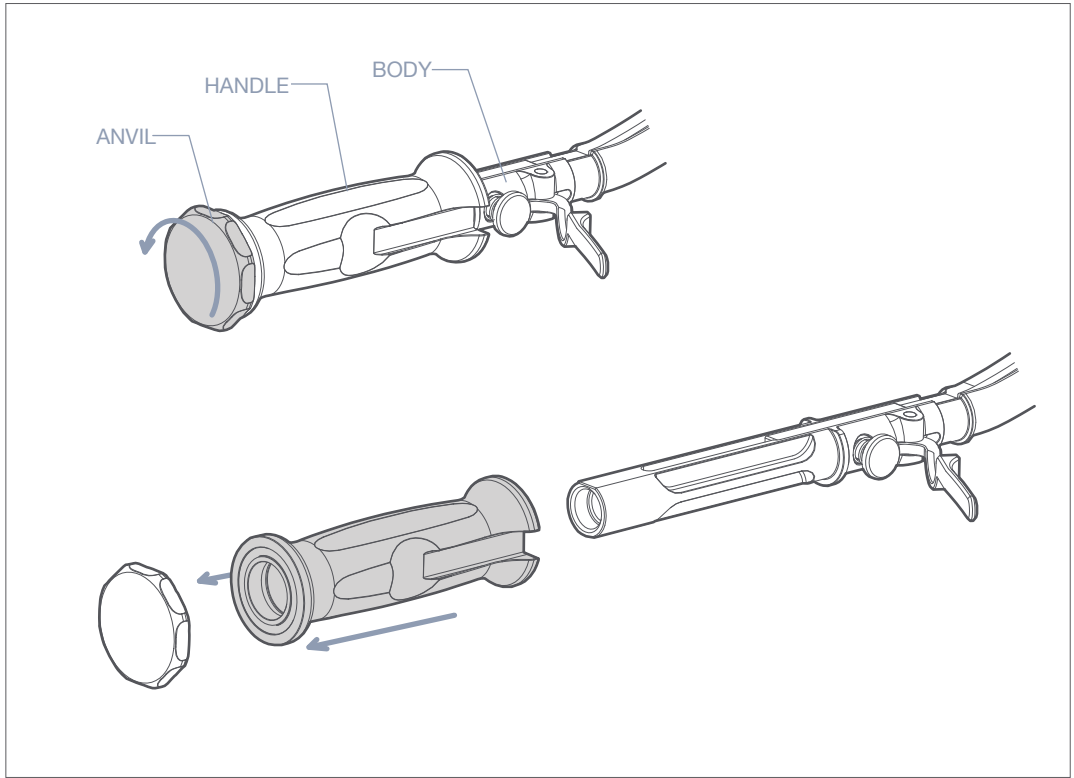


# Disassembly

---

## ANVIL AND HANDLE REMOVAL:

Remove the Anvil by turning it anti-clockwise, and slide the Handle off the Body.



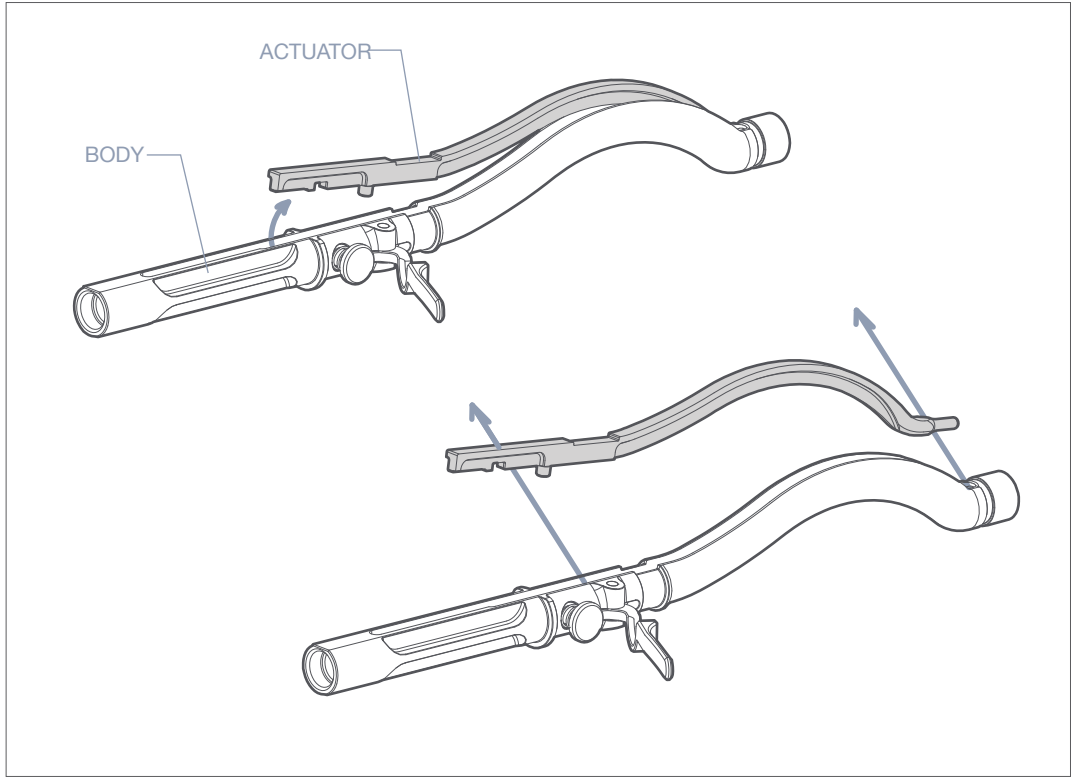


# Disassembly

---

## ACTUATOR REMOVAL:

Remove the Actuator from Body. If the Actuator is difficult to remove fully depress Lock Button.

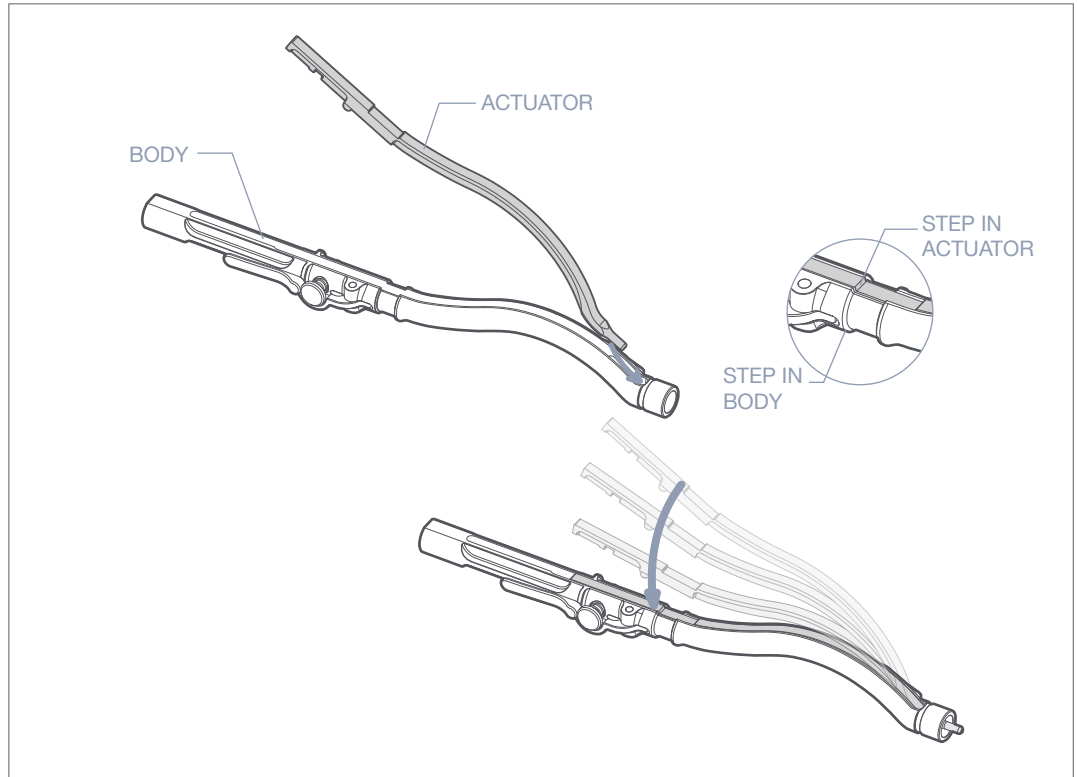


# Assembly

Spray all moving components with a spot lubricant. Enztec recommends Rudolf® Medizintechnik Oil Spray RU8880-00. Remove excess oil with a lint-free cloth. Do not use oil with a silicone base for surgical instrument maintenance. Silicone components can harden during subsequent processing (sterilisation) and cause the instrument to become stiff. Plastic surfaces should not be treated with oil. Since effective ultrasonic cleaning removes all lubrication, re-lubrication is important.

## ACTUATOR INSERTION:

- Ensure the Lever is closed.
- Apply lubricant to the Actuator and corresponding slot in the Body.
- Slide the Actuator tip into the Body.
- Line up step of Actuator with step of Body while lowering the Actuator into the Body.

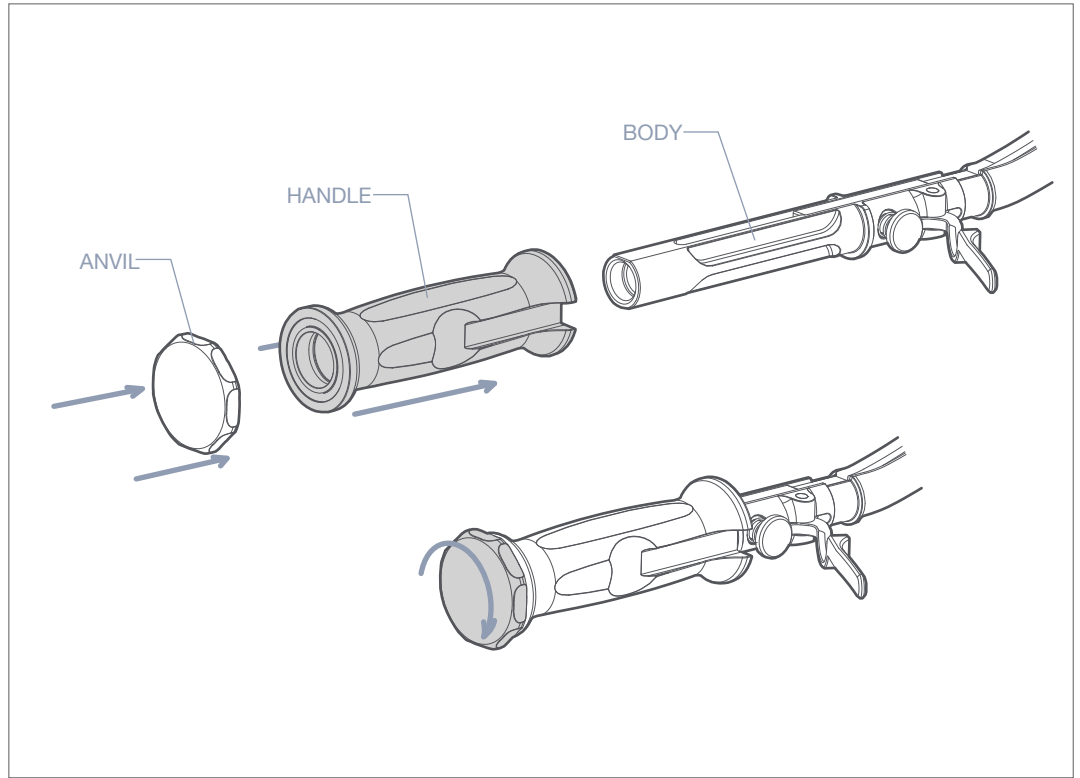


# Assembly

---

## HANDLE AND ANVIL ATTACHMENT:

- Slide the Handle onto the Body.
- Screw the Anvil into the Body clockwise until hand tight.

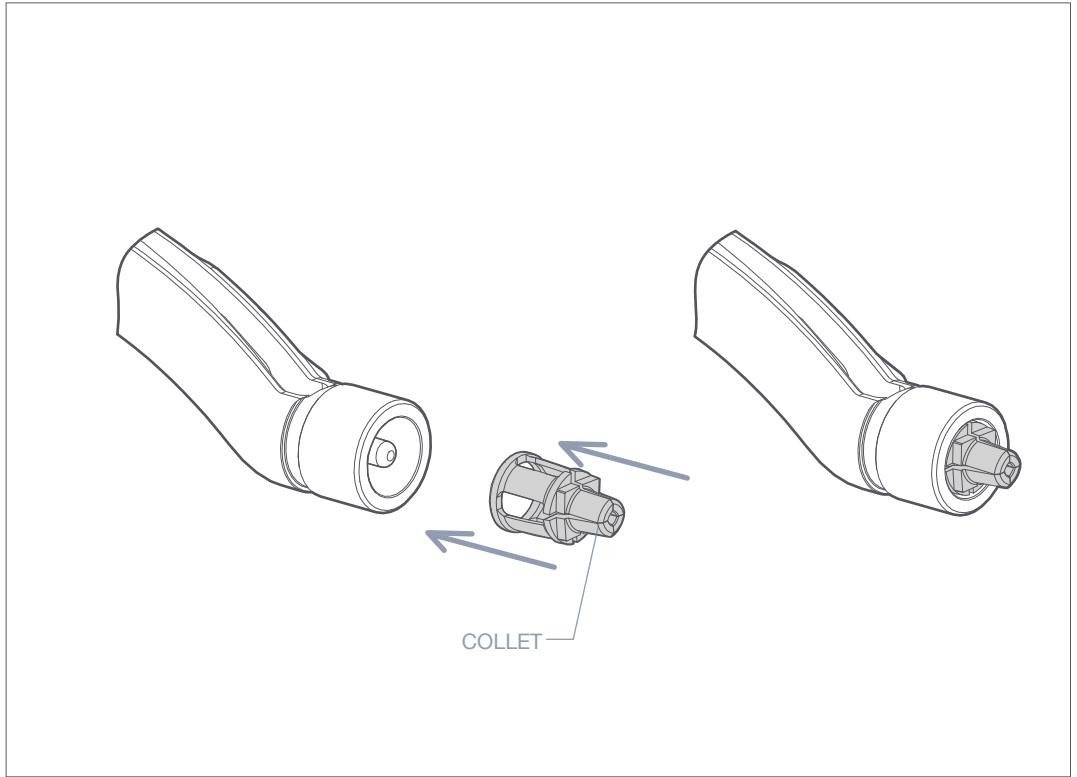


# Assembly

---

## COLLET:

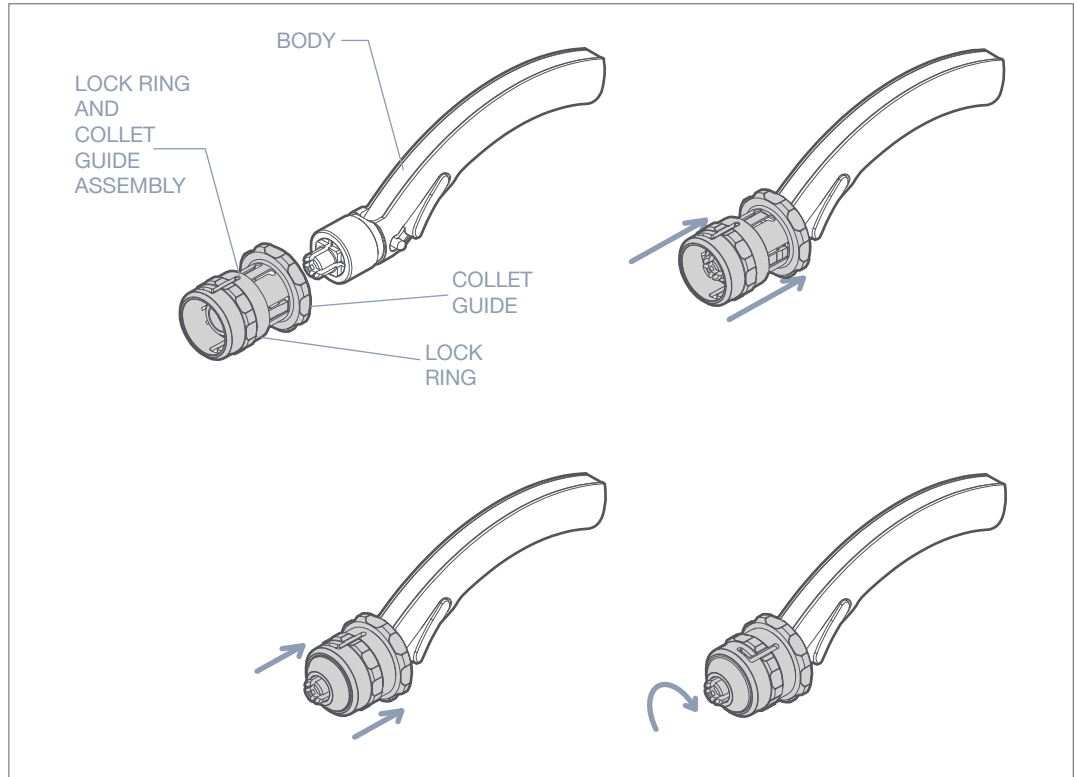
- Ensure Lever is open.
- Apply lubricant to the Collet and corresponding area of the Body.
- Insert the Collet into the Body.



# Assembly

## COLLET GUIDE AND LOCK RING ATTACHMENT:

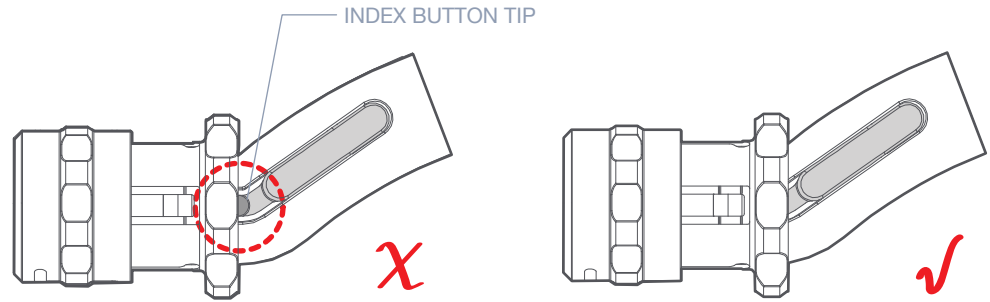
- Slide the Lock Ring and Collet Guide Assembly onto the Body.
- Slide the Lock Ring towards the Body, until it contacts the shoulder on the Collet Guide.
- Rotate the Lock Ring clockwise 30° relative to the Collet Guide.
- Close the Lever.



# Assembly

---

**Note:** If the Lock Ring will not slide over the Collet Guide check that the tip of the Index Button is seated properly in one of the slots on the back of the Collet Guide. If the tip is protruding from the slot rotate the Lock Ring and Collet Guide Assembly clockwise or anti-clockwise until the tip finds a slot that fully encases it. (Ensure Index Button tip is fully encased by a slot on the back of the Collet Guide.)



## Verification

---

After the OCI has been reassembled, test the function of the instrument as detailed below.

- Press the Lock Button and open and close the Lever to collapse and expand the Collet several times.
- Verify that the instrument can grasp and release an acetabular component prior to releasing for clinical use.



# Nota Bene

---

A surgeon must always rely on his or her own professional clinical judgment when deciding which products and/or techniques to use on individual patients. Enztec is not dispensing medical advice and recommends that surgeons be trained in orthopaedic surgeries before performing surgeries.

Always refer to the package insert, product label and/or user instructions before using any Enztec product. Products may not be available in all markets. Product availability is subject to the regulatory or medical practices that govern individual markets. Please contact your Enztec representative if you have any questions about the availability of Enztec products in your area.

Enztec own, use or have applied for the following trademarks or service marks: Enztec.



**Enztec Limited**  
3/17 Print Place  
Middleton  
Christchurch 8024  
New Zealand

## **Contact**

Enztec Limited  
PO Box 31029, Ilam,  
Christchurch, 8444,  
New Zealand  
Ph: + 64 3 348 0203  
Fax: + 64 3 343 6182

© 2018 Enztec Limited  
All rights reserved.

Part Number: 11547-00, Rev: 3