

Premium Patella Clamp

Supporting any style of patella replacement technique.

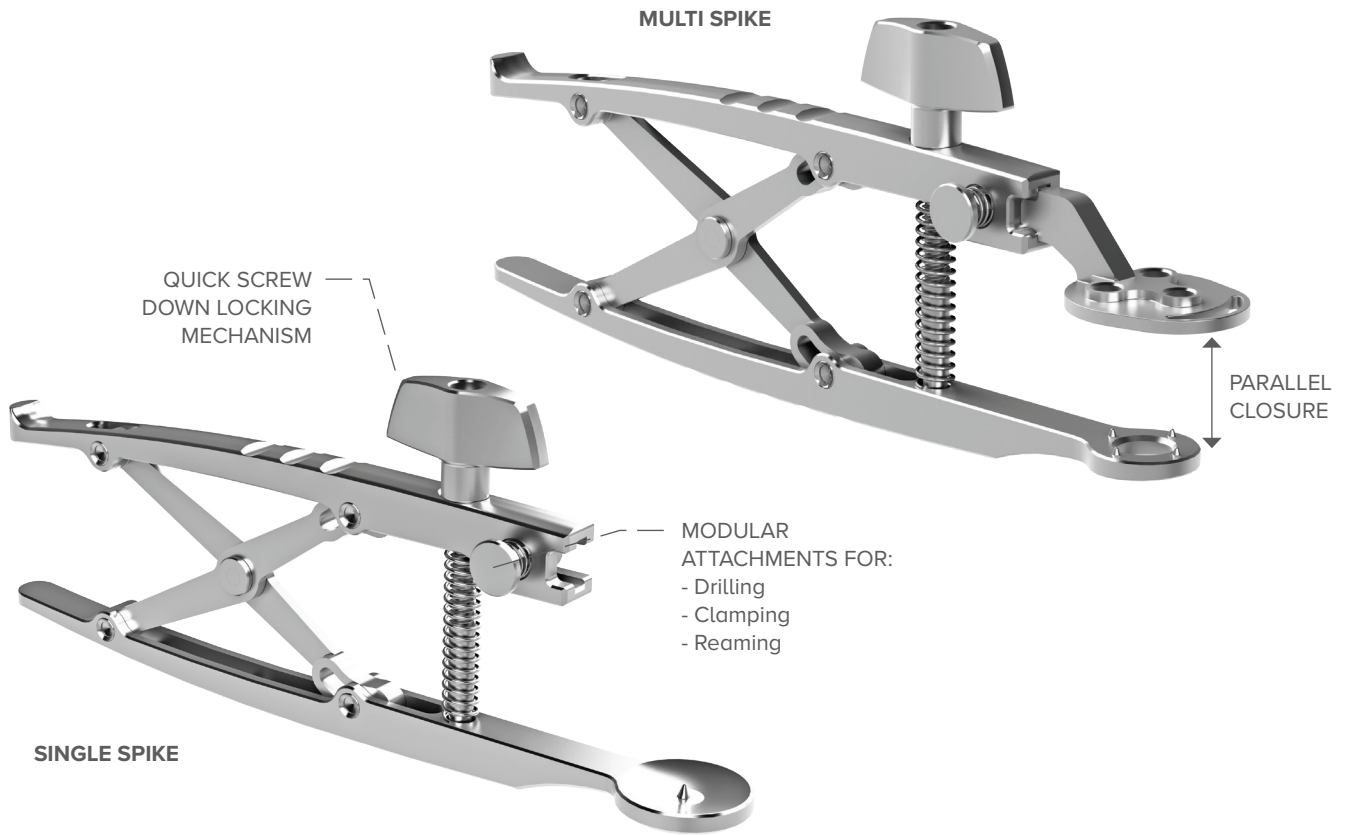
Intuitive to use, the Enztec Premium Patella Clamp allows quick, efficient patella preparation and cement pressurization.

It has a parallel closure mechanism that ensures even pressure application during implant placement and cementing.

The single spike variant allows the handle to be rotated out of the way for cement clean up. The multi spike variant allows the patella thickness to be measured with a caliper during reaming.

You can rely on the Enztec Premium Patella Clamp for drilling, clamping and reaming.





Features

- Parallel closure
- Modular drill guides tailored to your implant
- Compatible with anatomic and round patella
- Compatible with patella reamers
- Single or Multi Spike Variants

Specifications

- Materials: Stainless Steel, Propylux
- Handle weight: 370g / 0.8lbs
- Handle length: 220mm / 8.7in
- Add your logo: available